



AMD Opteron™ Processor for MP Server Systems

Fred Weber
VP & CTO,
Computation Products Group
AMD

Agenda



-
- AMD Opteron™ processor overview
 - Contrast to existing MP system topology
 - Glueless MP system topology

AMD Opteron™ Processor Technology Overview



- **Processor Core Overview**

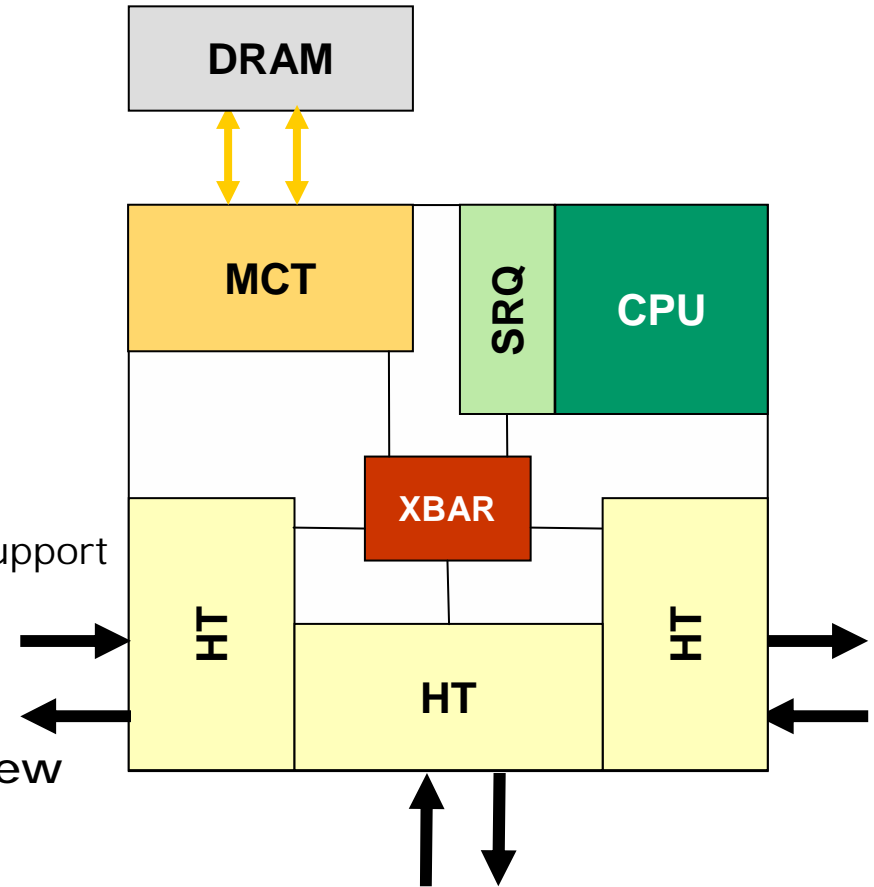
- Support for AMD's 64-bit technology
- 12-stage int, 17-stage fp pipelines
- Enhanced TLB structures
- TLB flush filter
- Enhanced branch prediction
- Large L2 cache (up to 1MB)
- ECC protection

- **Memory Controller Overview**

- Dual-channel DDR memory
- PC2700, PC2100, or PC1600 DDR memory support
- Registered or Unbuffered DIMMs
- ECC and Chip Kill
- High bandwidth (up to 5.3GB/s)

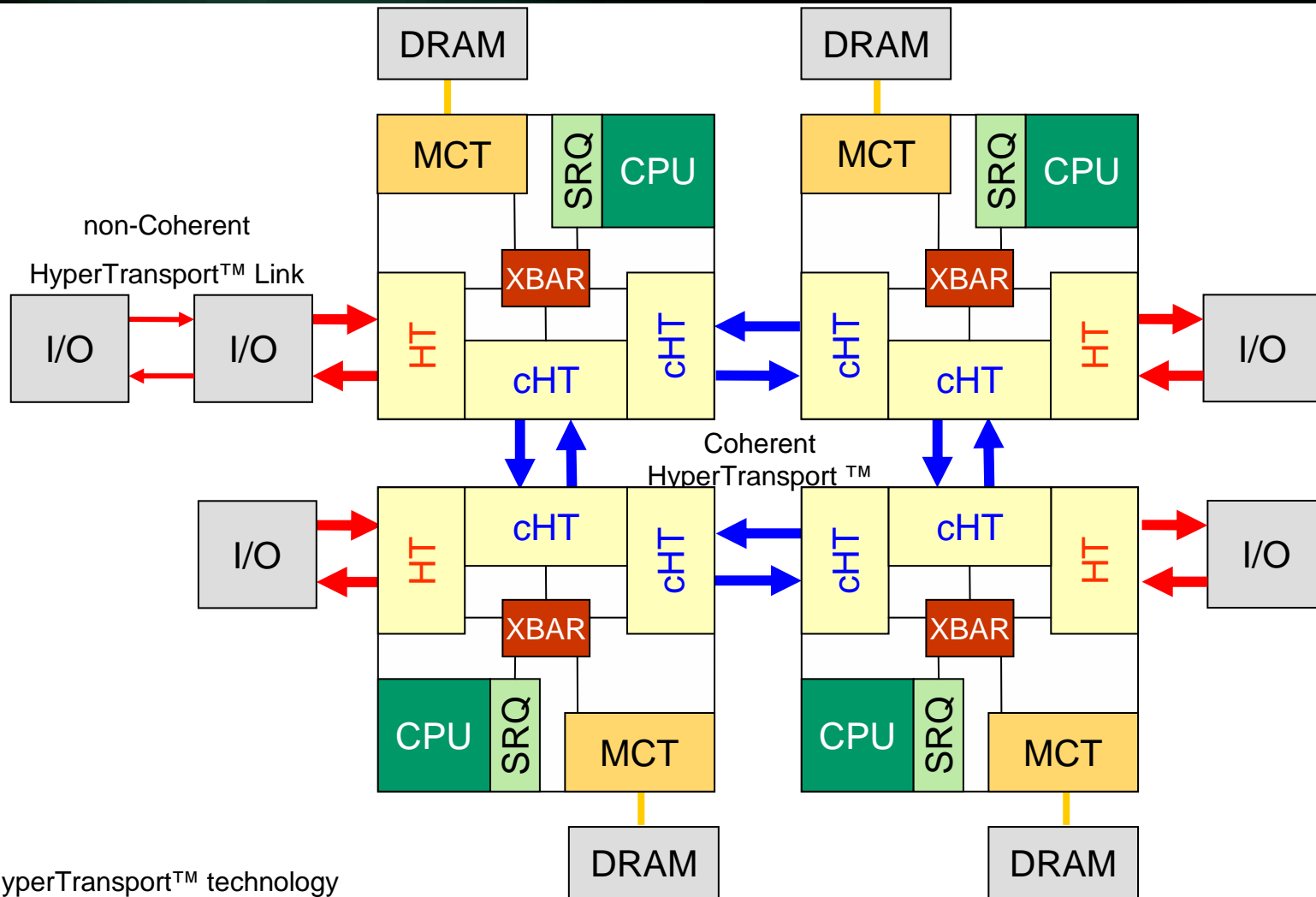
- **HyperTransport™ Technology Overview**

- One, two, or three links
- 2, 4, 8, 16, or 32-bits full duplex
- Up to 6.4 GB/s bandwidth per link
- 19.2 GB/s aggregate bandwidth



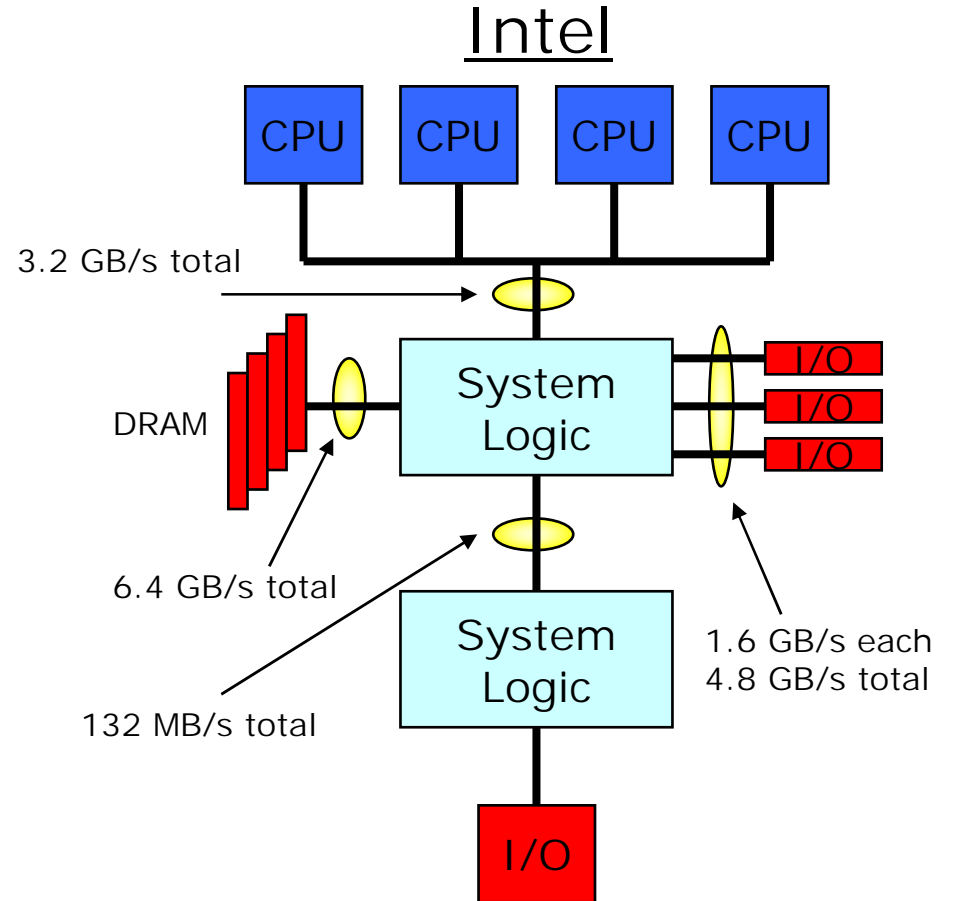
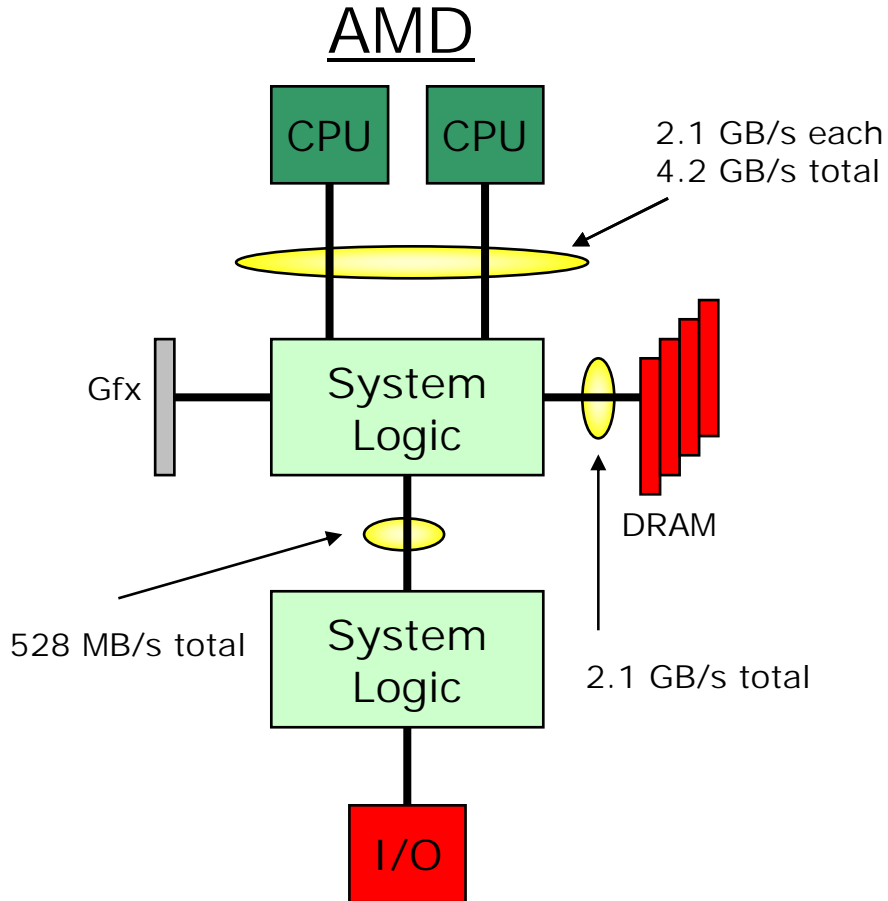
HT = HyperTransport™ technology

AMD Opteron™ Processor Glueless MP System Overview

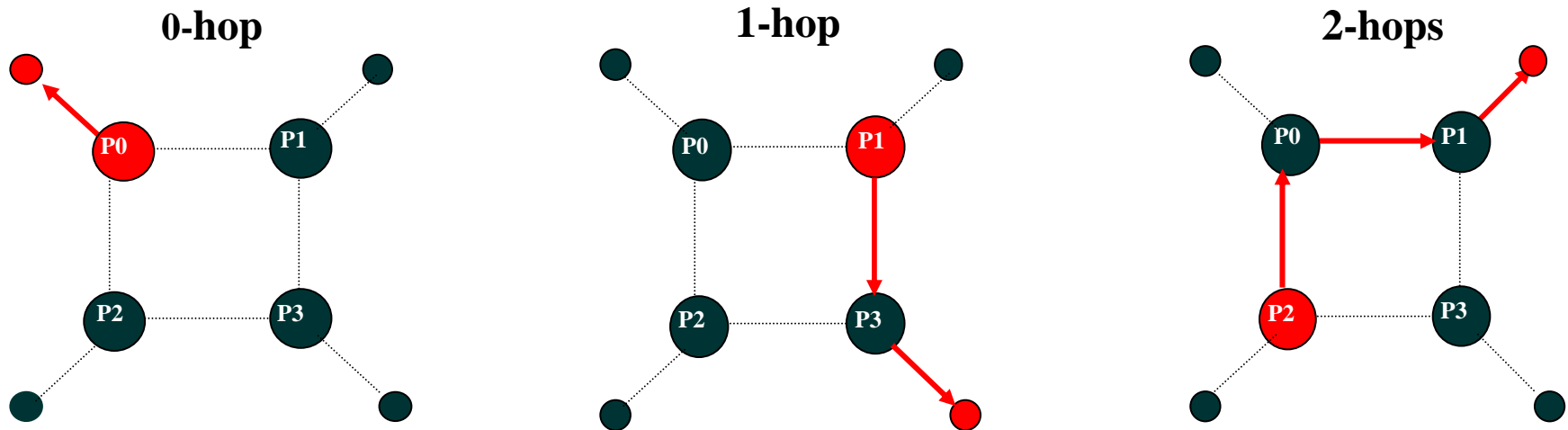


HT = HyperTransport™ technology

Existing MP System Topology

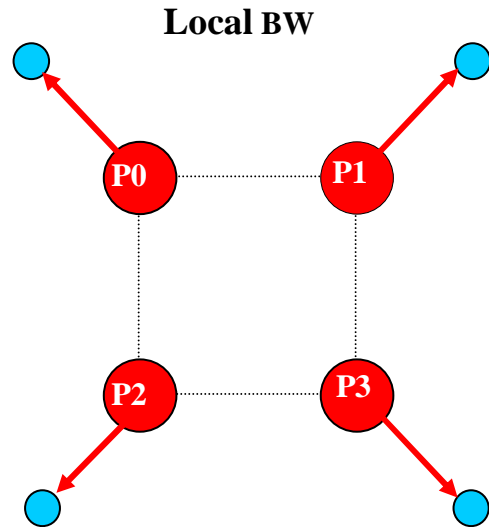


Local vs. Remote Memory Access

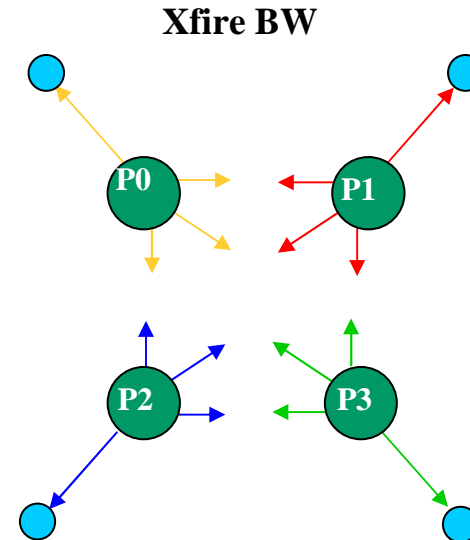


- 0 Hop: Local Memory Access
- 1 Hop: Remote 1 Memory Access
- 2 Hop: Remote 2 Memory Access
- Diameter: maximum hop count between any pair of nodes
- Average distance: average hop count between nodes

Local vs. Crossfire Memory Bandwidth

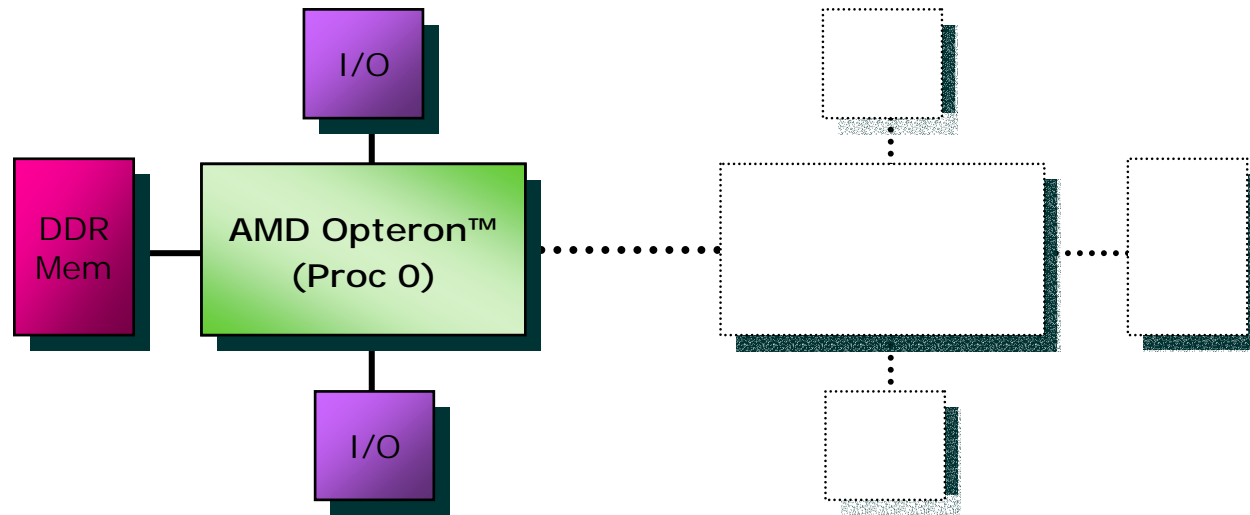


- Local memory access bandwidth
 - Each processor reads data from its own local memory



- Xfire memory access bandwidth
 - All processors read data from memory at all nodes

Single Processor Population



System Parameters:

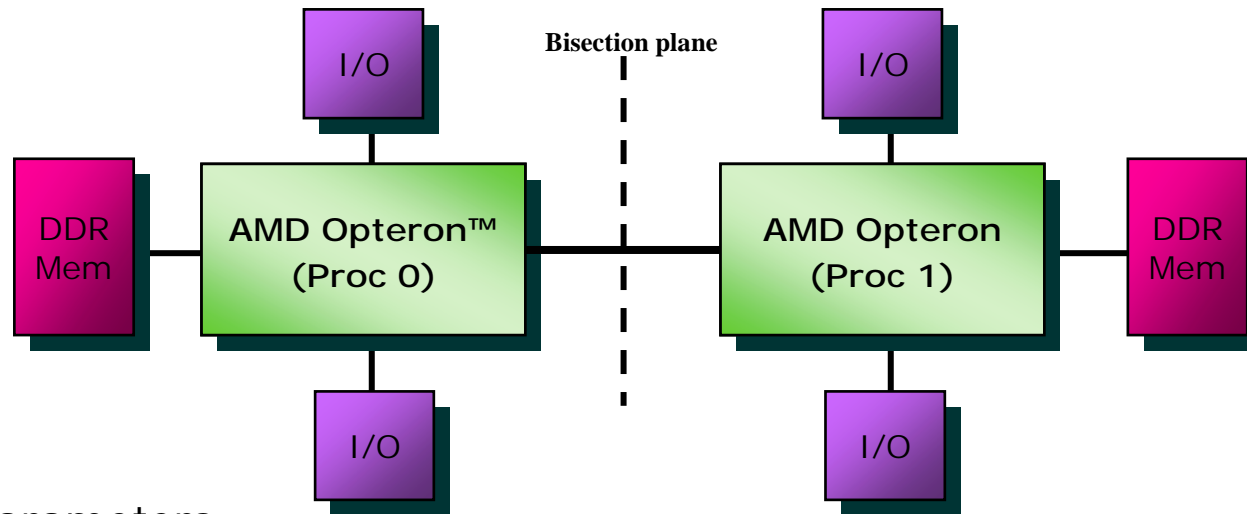
- 8 DIMMs (up to 16 GB using 256Mb DRAM)
- 2 HyperTransport™ links available for I/O
- Processor-to-Memory Read Bandwidth = 5.3 GB/s
- I/O Bandwidth = 6.4 GB/s (per link)

- System Configurations
 - AMD Opteron™ processor operating at 2.0GHz
 - Registered PC2700 DDR memory

- SPECint[®] 2000:
 - Estimated base score = 1202

- SPECfp[®] 2000:
 - Estimated base score = 1170

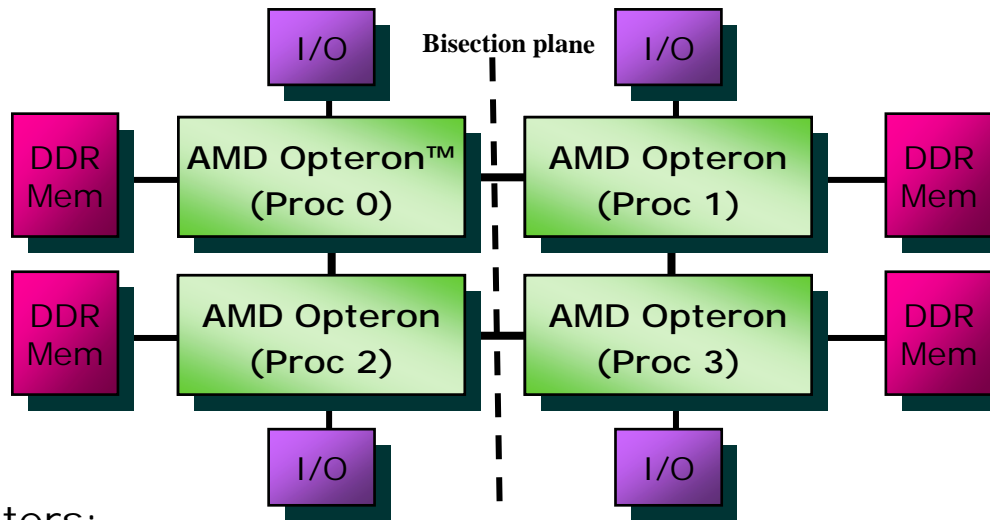
Dual Processor System Topology



System Parameters:

- 16 DIMMs (up to 32 GB using 256Mb DRAM)
- 4 HyperTransport™ links available for I/O
- Bisection-bandwidth = 6.4GB/s
- Diameter = 1, Avg distance=0.5
- Local Memory Read Bandwidth = 10.67 GB/s
 - Local Bandwidth/processor = 5.3 GB/s
- Xfire Memory Read Bandwidth = 7.06 GB/s
 - Xfire Bandwidth/processor = 3.53 GB/s

Quad Processor System Topology



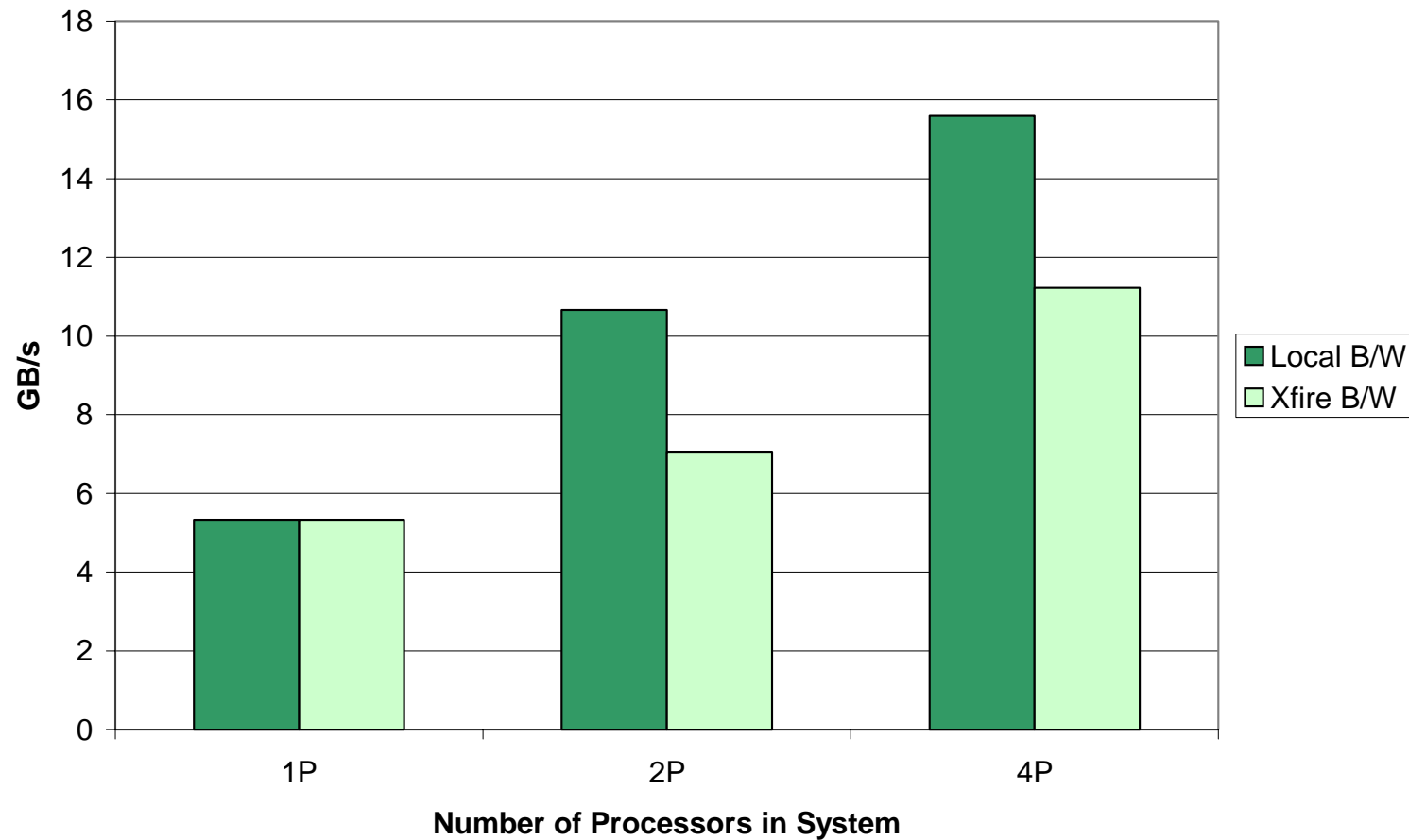
System Parameters:

- 32 DIMMs (up to 64 GB using 256Mb DRAM)
- 4 HyperTransport™ links available for I/O
- Bisection-bandwidth = 12.8GB/s
- Diameter = 2, Avg distance = 1
- Local Memory Read Bandwidth = 15.59 GB/s
 - Local Bandwidth/processor = 3.9 GB/s
- Xfire Memory Read Bandwidth = 11.23 GB/s
 - Xfire Bandwidth/processor = 2.8 GB/s

MP System Scalability Memory Bandwidth



Memory Bandwidth Scalability



- **The AMD Opteron™ processor is designed to provide industry leading performance for enterprise class servers**
 - 32-bit performance leadership substantiated by delivering on AMD's promise of nearly doubling x86-based SPEC® CPU performance from a year ago
 - Simultaneous 32 and 64-bit performance

- **AMD Opteron "plumbing" is designed to provide exceptional MP scalability**
 - Performance advantage grows versus competitive platforms
 - Memory capacity and bandwidth scales
 - I/O capacity and bandwidth increases

Trademark Attribution



AMD, the AMD Arrow Logo, AMD Opteron and combinations thereof are trademarks of Advanced Micro Devices, Inc. HyperTransport is a licensed trademark of the HyperTransport Consortium. Other product names used in this presentation are for identification purposes only and may be trademarks of their respective companies.

SPEC, SPECint, and SPECfp are registered trademarks of the Standard Performance Evaluation Corporation (SPEC).